



# M 58

## Omnidirectional Moving Coil Microphone

Order # 403.660

### FEATURES

- High output moving coil transducer
- Internal shockmount reduces handling noise
- Extended frequency response with rising high-end for maximum intelligibility
- Rugged construction
- Non-reflective Nextel® finish
- Weight-balanced, slim-profile design

### APPLICATIONS

The M 58 has been specifically designed to satisfy the demands of electric news gathering (ENG) and electronic field production (EFP) applications.

Its sophisticated internal shockmount dramatically reduces handling noise, while the microphone's frequency response has been tailored to provide broadcasters with a very accurate and intelligible sound.

The M 58's weight-balanced design provides journalists with a high degree of comfort during lengthy interviews. Its rugged construction enables the microphone to withstand physical and environmental punishment typically encountered during field production operations. The M 58's slim profile and non-reflective Nextel® finish result in a low profile on camera.

### TECHNICAL SPECIFICATIONS

Transducer type	Dynamic moving coil
Operating principle	Pressure gradient
Frequency response	40 - 20,000 Hz
Polar pattern	Omnidirectional
Open circuit voltage at 1 kHz (0 dB $\hat{=}$ 1 V/Pa)	1.3 mV/Pa $\hat{=}$ -58 dBV
EIA sensitivity rating	-149 dBm
Nominal impedance	200 $\Omega$
Load impedance	$\geq$ 200 $\Omega$
Weight w/out cable	256 g

#### Germany

Theresienstr. 8  
74072 Heilbronn  
Tel. (071 31) 6 17-0  
Fax (071 31) 6 04 59  
beyerdynamic@t-online.de  
www.beyerdynamic.de

#### United States

56 Central Ave.  
Farmingdale, NY 11735  
Tel. (516) 293-3200  
Fax (516) 293-3288  
salesUSA@beyerdynamic.com  
www.beyerdynamic.com

#### Great Britain

17 Albert Drive  
Burgess Hill RH15 9TN  
Tel. (01444) 258 258  
Fax (01444) 258 444  
sales@beyerdynamic.co.uk  
www.beyerdynamic.com

#### France

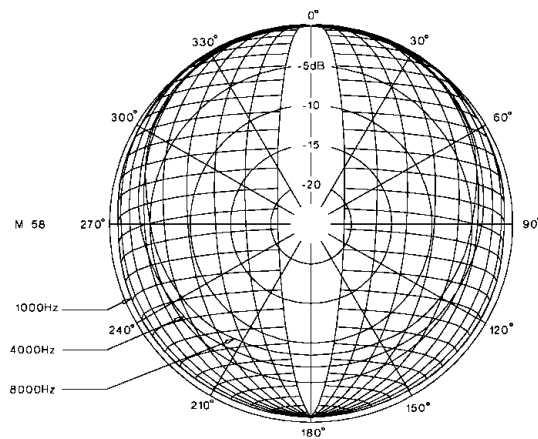
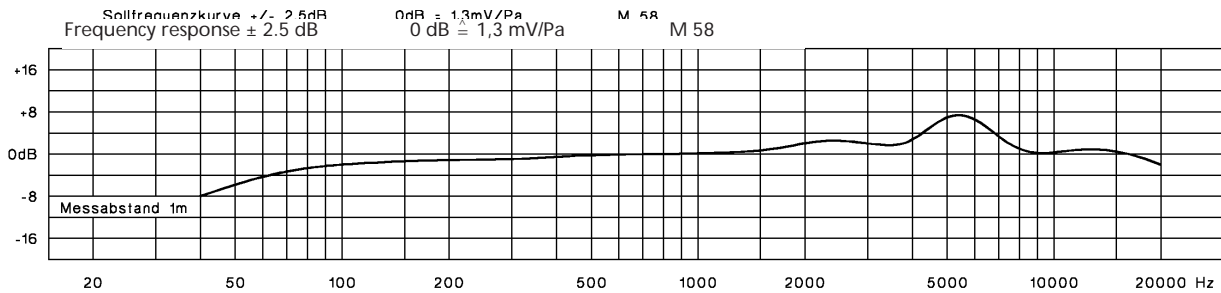
7, Rue Labie  
F-75017 Paris  
Tel. 0144.09.93.93  
Fax 0144.09.82.33  
beyerdynamic@compuserve.com  
www.beyerdynamic.com

# beyerdynamic

**interstage**  
Phistersvej 31, 2900 Hellerup, Danmark  
Telefon 3946 0000, fax 3946 0040  
www.interstage.dk  
- pro audio with a smile

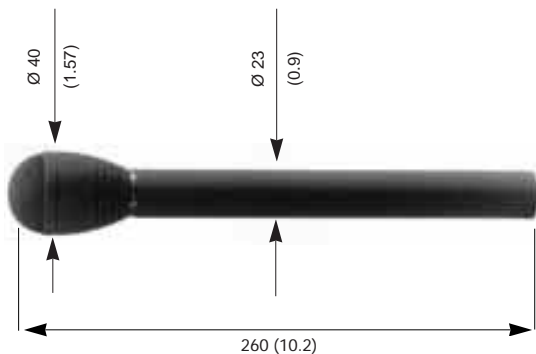
## FREQUENCY RESPONSE & POLAR PATTERN

This polar pattern and frequency response curve (measuring distance  $\pm 2.5$  dB) correspond to typical production run specifications for this microphone.



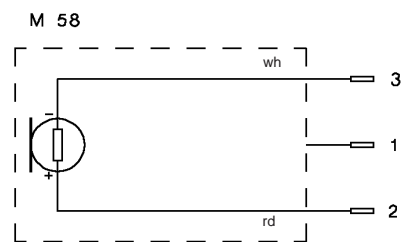
## MEASUREMENTS

In millimetres (inches in brackets)



## WIRING DIAGRAM

Positive pressure produces positive voltage on red lead (+).



## SUPPLIED ACCESSORIES

Black, padded protective zipper bag  
 WS 58 windscreen

## OPTIONAL ACCESSORIES

Highly flexible cables with industry standard Neutrik jack and XLR connectors.

MKV 6 mic clamp with quick release. . . . . Order # 407.208

MKV 8 mic clamp 3/8" internal thread. . . . . Order # 407.216

Photos are non-contractual. Contents subject to change without notice. Printed in Germany.

