



HX-3 Portable Headphone Amplifier

Preliminary Information



Description

Flexible

Add headphone outputs to any piece of gear with the compact HX-3 Headphone Amplifier. It is the perfect accessory to quickly and simply provide three high-current stereo headphone feeds with individual level controls. The HX-3 is part of the growing line of Sound Devices professional audio products. It can be used in conjunction with Sound Devices 442 and MixPre field mixers to add headphone feeds. Great for radio, television, and film production applications, the inputs of the HX-3 are flexible - accepting balanced or unbalanced signals on XLR, 1/4-inch, or 1/8-inch connectors. Outputs are on panel-mounted 1/4-inch connectors. Its 1/4-inch loop-out can connect additional HX-3s for even more outputs.

Compact, Battery Powered

The HX-3 has a durable aluminum chassis that can withstand the punishment of any field or studio environment. The HX-3 is battery powered by inexpensive AA batteries or external 5-14 VDC.s.

Features

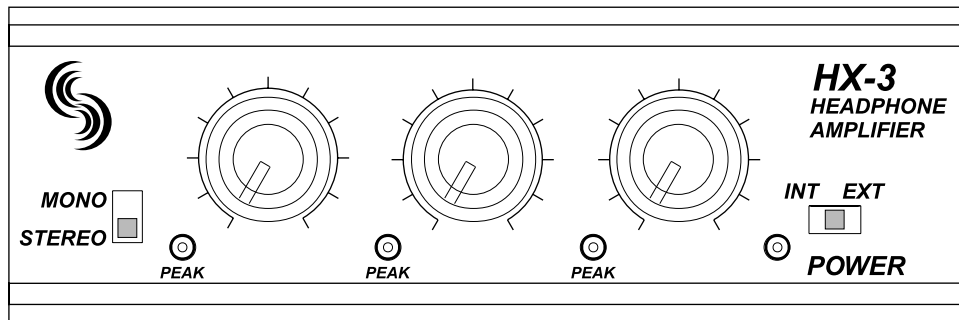
- Three high current stereo headphone circuits
- Individual volume control for each headphone feed
- Stereo or mono headphone monitoring
- Peak LED - shows if headphones are clipping
- Loop output to connect additional HX-3 amps.
- Flexible inputs - balanced line level XLR, stereo 1/4", and stereo 1/8" inputs
- Battery (2 x AA) or external DC powering
- Quick change battery compartment
- Compact, durable mechanical construction

www.sounddevices.com

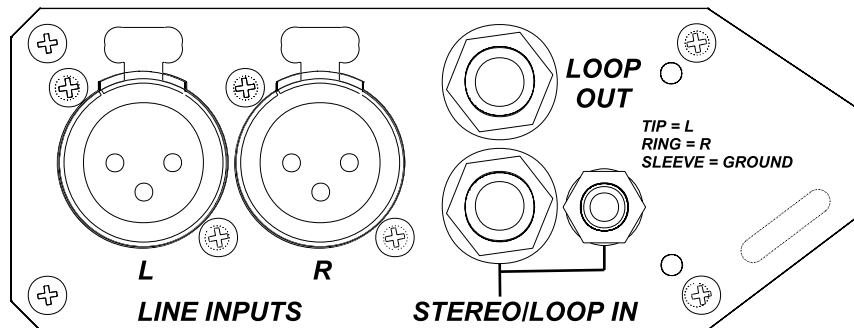
HX-3 Portable Headphone Amplifier

Preliminary Information

Front Panel



Input/Output Panel



Input/Output Panel

